



CRSTHV 尺寸(Dimensions) CRSTHV:43X19X20mm

特点 Features

- 1, Breakdown Voltage Is DC.10KV
- 2, PCB type, PCB+Wire type

订货信息 Ordering information

CRSTHV- 12 10 - A - W - 03

1 2 3 4 5

- 1, 型号 Part number: HV
- 2, 线圈额定电压 Coil rated voltage(V):DC:12,24
- 3, 崩溃电压 Breakdown Voltage Min :DC:10 KV
- 4, 接触形式 Contact Form: A:Normal Open
- 5, 端脚形式 Teminal Type: P:PCB type, W:PCB+Wire

触点数据 Contact Rating

Contact Arrangement	1 Form A	
Contact Rating	25W	
Max.Switching Voltage (DC or AC PEAK) Max	1KVDC	
Breakdown Voltage Min	10KVDC	
Max.Switching Current	1.0A	
Max.Carry Current	2.5A	
寿命 Operation Life	电气 Electrical	DC.50V 10mA 0.5X10 ⁶ MIN Operations(R.L.)
	机械 Mechanical	1*10 ⁸ MIN Operations(R.L.)

线圈参数 Coil Parameter (23℃)

线圈电压 Coil voltage(VDC)		线圈电阻 Coil Resistance Ω ±10%	线圈电流 Normal Current(mA)	释放电压 VDC Release voltage VDC(Min) (额定电压的 10%) (10% of rated voltage)	吸合电压 VDC(最大) Pick up Voltage VDC(Max) 额定电压的 80% (80% of Rated voltage)
额定 Rated	最大 Max				
5	6.5	75	66.7	0.5	4.0
12	15.6	250	48.0	1.2	9.6
24	31.2	800	30.0	2.4	19.2

注意:1,使用的线圈电压低于线圈额定电压时将会损害继电器的工作.

2,吸合,释放电压仅供检测用,不是设计的使用指标.

Caution:1,The use of any coil voltage less than the rated coil voltage will compromise the operation of the relay.

2,Pick up and release voltage are for test purposes only and are not be used as design criteria.

技术特性 Operation condition

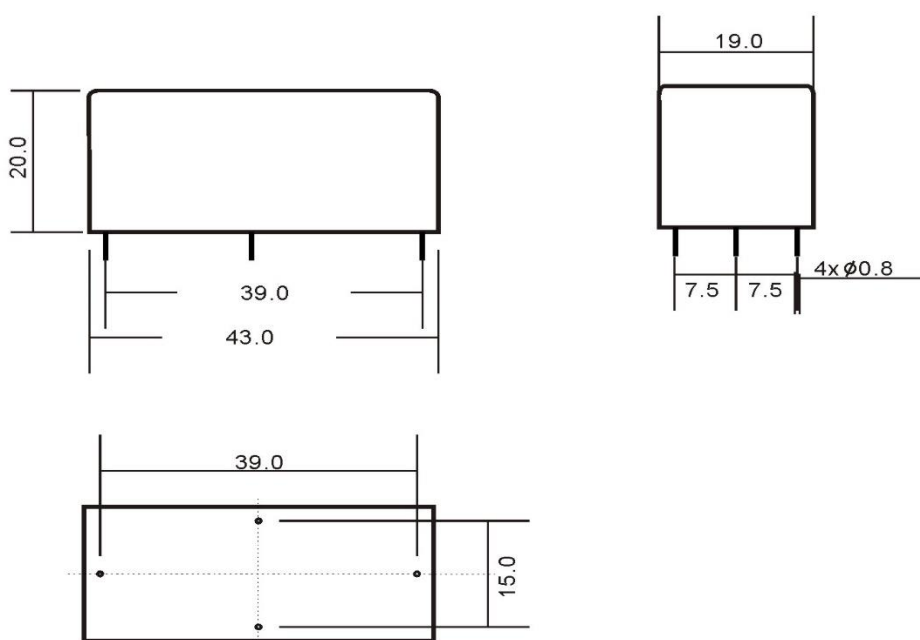
接触电阻 Contact Resistance	250mΩ	
崩溃电压 Breakdown Voltage	断开触点间 open Contacts	DC10KV
	触点与线圈间 Contacts to COIL	DC15KV
绝缘电阻 Insulation Resistance	断开触点间 open Contacts	Open contacts 1X10 ⁹ ΩMIN.(DC.100V)
	触点与线圈间 Contacts to COIL	Contacts to coil 1X10 ⁹ ΩMIN.(DC.100V)
电动电容 Electromotive Capacitance	2.0pF MAX.	
动作时间 Operate Time	4.0mS	
释放时间 Release Time	2.0mS	

抗振性 Vibration	20G(0~55Hz.1.5mm)
耐冲击 Shock	30G(11mS,1/2Sin Wave)
工作温度 Operating Temperature	-20°C~+70°C
储存温度 Storage Temperature	-35°C~+90°C
焊接温度 Soldering Temperature	5 sec. max 260°C

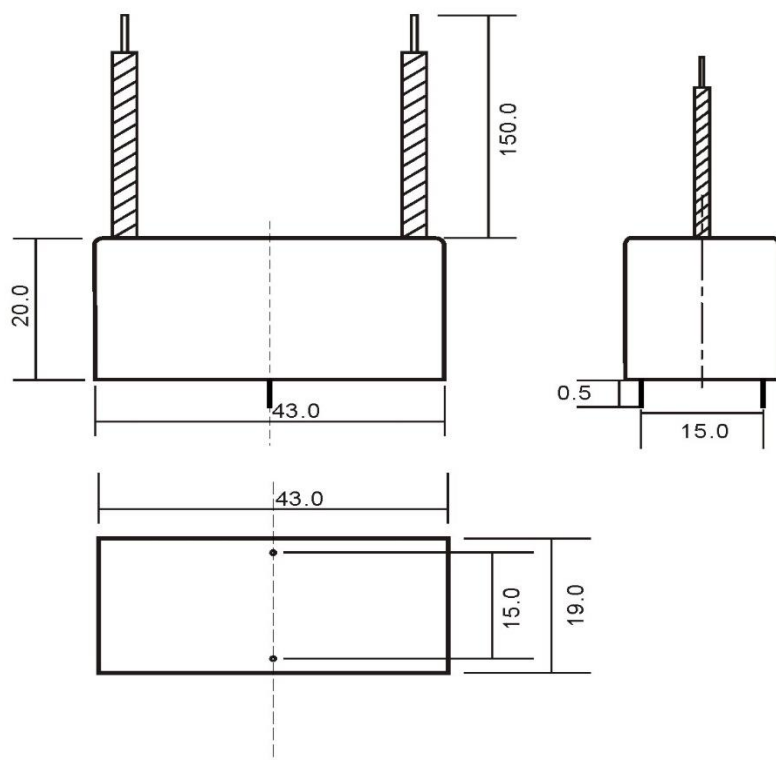
外形尺寸 Dimensions(mm)

Dimensions (Unit : mm)

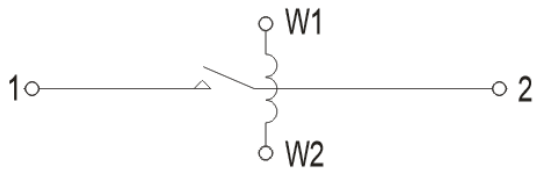
Standard type 4 PCB Terminals



Standard type 2 PCB Terminals + 2 Wires



Wiring Diagrams (Top View)



1 Form A